

# Vintage Square™ Premium

Screw-less  
fence system



FENCE SOLUTIONS IN ORNAMENTAL • CHAIN LINK • WOOD • PVC • ACCESS CONTROL

WWW.MERCHANTSMETALS.COM 866-888-5611

 Merchants Metals®  
*the first name in fence solutions*

A new generation of aluminum fence systems from Merchants Metals, Vintage Square Premium combines the elegance, superior quality and maintenance-free finish of traditional Vintage Square with the simplicity of a "pin-lok" method of attachment to the post. This new fence solution provides a fast and simple installation, providing a long-lasting performance and beauty to most applications.



**Celtic**



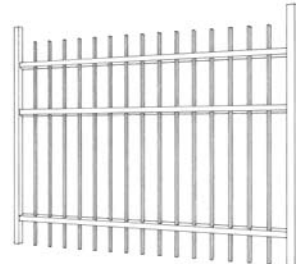
**Celtic Pool**



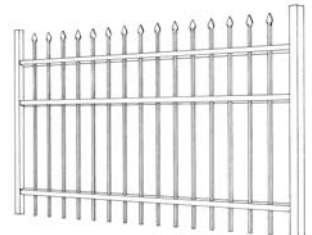
**Celtic Pool Short**



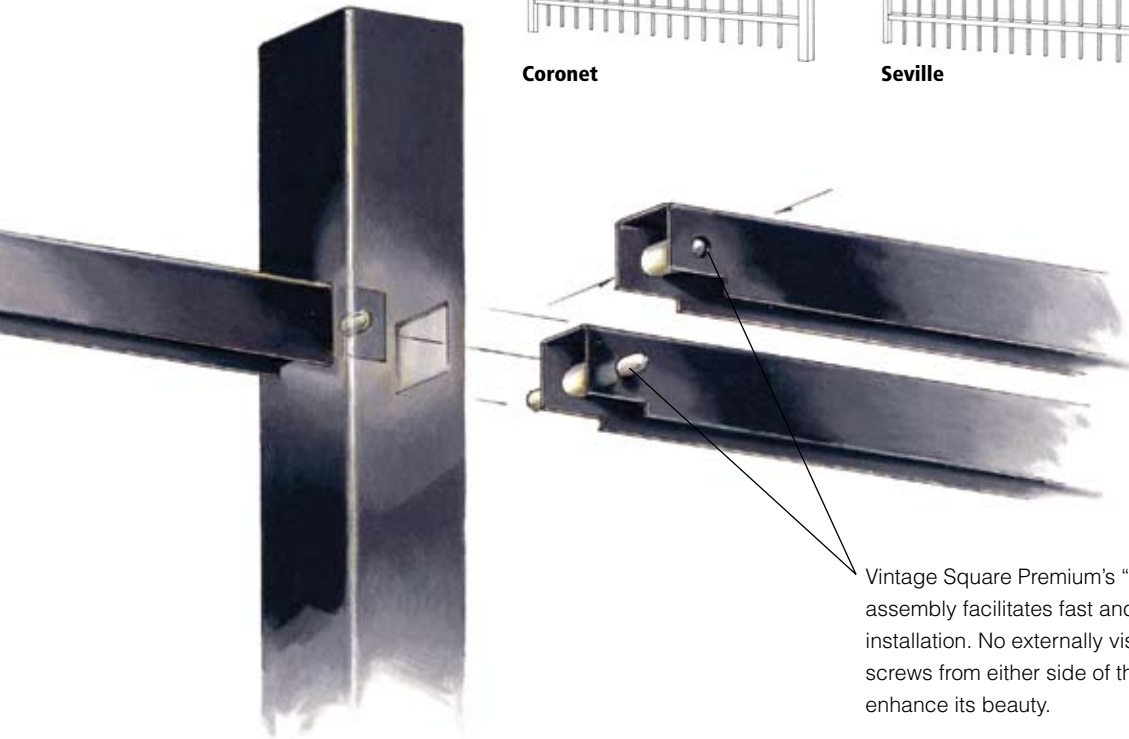
**Coronet**



**Seville**



**Sultan**



Vintage Square Premium's "pin-lok" assembly facilitates fast and easy installation. No externally visible screws from either side of the fence enhance its beauty.



3838 N. Sam Houston Pkwy. E., Suite 600  
 Houston, Texas 77032  
 281.372.3800 866.888.5611 fax 281.372.3801  
 www.merchantsmetals.com  
 a division of MMI Products, Inc.